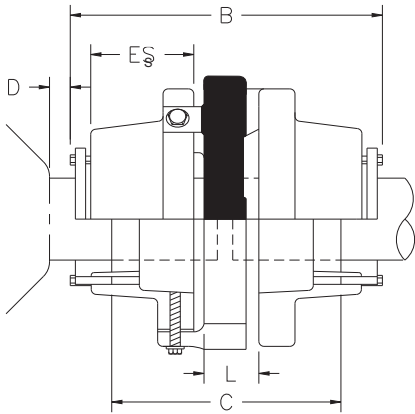


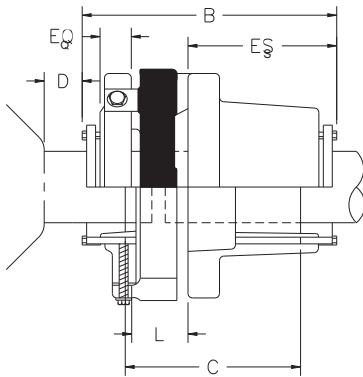
### Spacer Coupling For Q-D® Bushing

1. See table of Finished Straight Bores on page 74 for dimensions not listed.



Double Spacer Coupling for Q-D® Bushings

Coupling Size	Q-D® Bushing			Hub Sep. L	Shaft Sep. C		B	D	Es
	Number	Bore Min. (in.)	Bore Max. (in.)		Min. (in.)	Max. (in.)			
30	JA	1/2	1 1/4	1 1/2	1/8	7 1/4	9 5/8	1 1/8	3 7/16
40	JA	1/2	1 1/4	1 5/8	1/8	7 3/8	9 3/4	1 1/8	3 7/16
50	SH	1/2	1 5/8	2 1/8	1/8	7 1/2	10 9/16	1 9/16	3 7/16
60	SDS	1/2	1 15/16	2 1/8	1/8	7 3/4	10 13/16	1 9/16	3 9/16
70	SK	1/2	2 1/2	2 3/8	1/8	7 7/8	12 5/16	2 1/4	4
80	SF	1/2	2 15/16	3	1/8	9 3/4	14 9/16	2 3/8	4 11/16
90	E	7/8	3 7/16	4 1/8	1/8	10 1/2	16 7/8	3 1/16	4 15/16
100	F	1	3 15/16	4 1/8	1/8	9 7/8	18 3/8	4 3/16	5 7/16



Single Spacer Coupling for Q-D® Bushings

Coupling Size	Shaft Sep. C		B	D	EQ
	Min. (in.)	Max. (in.)			
30	1/8	4 9/16	6 15/16	1 1/8	3/4
40	1/8	5 1/16	7 7/16	1 1/8	1 1/8
50	1/8	5 5/16	8 3/8	1 9/16	1 1/4
60	1/8	5 3/8	8 7/16	1 9/16	1 3/16
70	1/8	5	9 7/16	2 1/4	1 1/8
80	1/8	6 1/2	11 5/16	2 3/8	1 7/16
90	1/8	7 5/16	13 11/16	3 1/16	1 3/4
100	1/8	7 1/16	15 9/16	4 3/16	2 5/8

Hubs Bored for Q-D® Bushings

Coupling Size	S Hub Part No.	E Hub Part No.	Element W/ Fasteners	
			Part No.	Wt. (lbs.)
30	30 SHUBQDXJA	30 EHUBQDXJA	30 ELEMENT	1
40	40 SHUBQDXJA	40 EHUBQDXJA	40 ELEMENT	1
50	50 SHUBQDXSH	50 EHUBQDXSH	50 ELEMENT	2
60	60 SHUBQDXSDS	60 EHUBQDXSDS	60 ELEMENT	3
70	70 SHUBQDXSK	70 EHUBQDXSK	70 ELEMENT	5
80	80 SHUBQDXSF	80 EHUBQDXSF	80 ELEMENT	9
90	90 SHUBQDXE	90 EHUBQDXE	90 ELEMENT	16
100	100 SHUBQDXF	100 EHUBQDXF	100 ELEMENT	18

#### NET WEIGHT, LBS.—SPACER COUPLINGS

		Coupling Size	20	30	40	50	60	70	80	90	100
DOUBLE SPACER	With Solid Hubs		4.0	4.6	7.4	10.1	13.9	22.5	41.1	73.2	116
	With Max. Bore and Standard Keyway		3.7	4.1	6.5	8.7	11.1	19.0	34.0	58.8	96
	With TAPER-LOCK* Bushing (Max. Bore)		-	4.5	7.0	9.8	13.5	22.5	41.4	76.4	113
	With Q-D® Bushing (Max. Bore)		-	4.6	7.4	10.3	14.1	23.1	41.3	77.1	122
SINGLE SPACER	With Solid Hubs		2.8	3.7	6.7	9.5	13.0	19.8	35.8	66.3	106
	With Max. Bore and Standard Keyway		2.6	3.2	5.7	8.0	10.1	16.3	28.5	52.1	86
	With TAPER-LOCK* Bushing (Max. Bore)		-	3.6	6.2	9.1	12.7	19.8	36.1	69.2	107
	With Q-D® Bushing (Max. Bore)		-	3.8	6.8	9.9	13.6	21.0	37.0	72.2	114

\* Taper-Lock is believed to be the trademark and/or trade name of Reliance Electric Company, and is not owned or controlled by Regal Power Transmission Solutions.